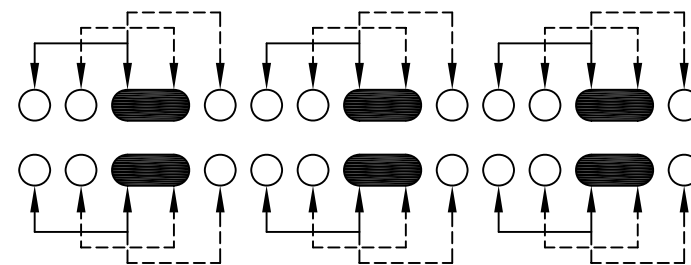
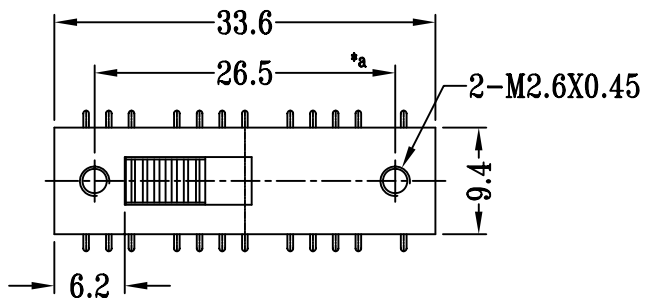
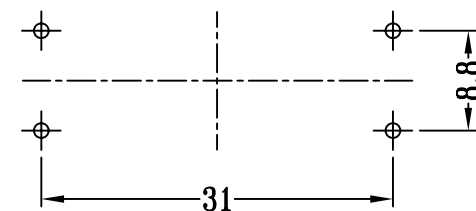
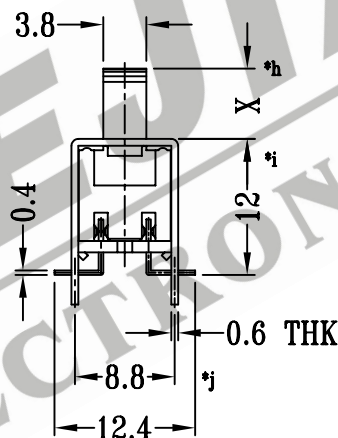
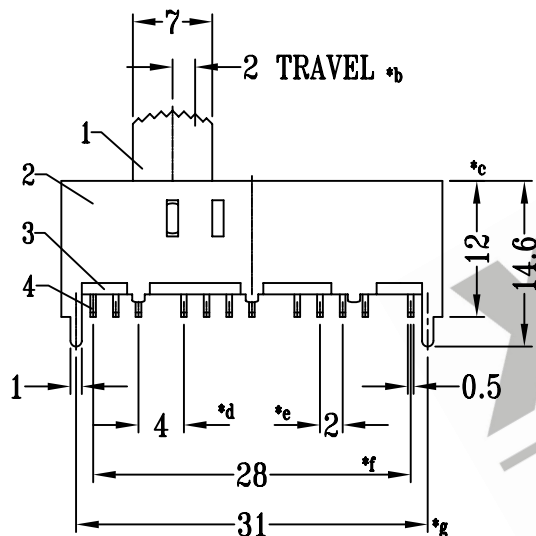


CAD FILE:



SCHEMATIC (SHORTING)



P.C.B LAYOUT

注:带*表示关键尺寸(10个)

NO.	PARTS	MATERIALS	Q'TY	FINISH	TOLERANCE UNLESS SPECIFIED	SHENZHEN XIEJIA ELECTRONICS CO.,LTD.						
8					WITHIN : 1.5±0.1mm OVER : 1.5±0.2mm	ISSUE		DATE		DESCRIPTIONS OF REVISION	APPD.	
7	STEEL BALL	STEEL	2	NATURAL		TITLE : VERTICAL SLIDE SWITCH				UNIT : mm	DRWG NO.: XJ-DR-SS63D04-00	
6	SPRING	STEEL WIRE	1	TEMPER	MODEL: SS-63D04				SCALE: 3 : 2	DWN.	ZHOUYU	2002-5-10
5	CONTACT CLIP	PBS STRIP	6	Ag PLATED	ALL MATERIALS MUST BE COMPLIANT TO ROHS					CHK'D	FANGYING	2002-5-10
4	TERMINAL	BRASS STRIP	24	Ag PLATED OVER Ni PLATED						APPD.	KANGXINAN	2002-5-10
3	BASE	PHENOLIC RESIN	1	NATURAL								
2	FRAME	STEEL STRIP	1	Ni PLATED								
1	KNOB	POM	1	BLACK								